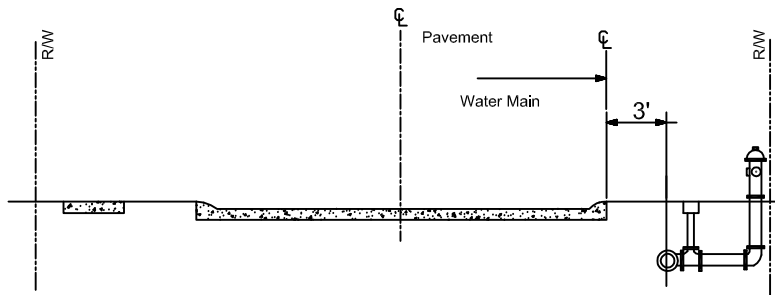


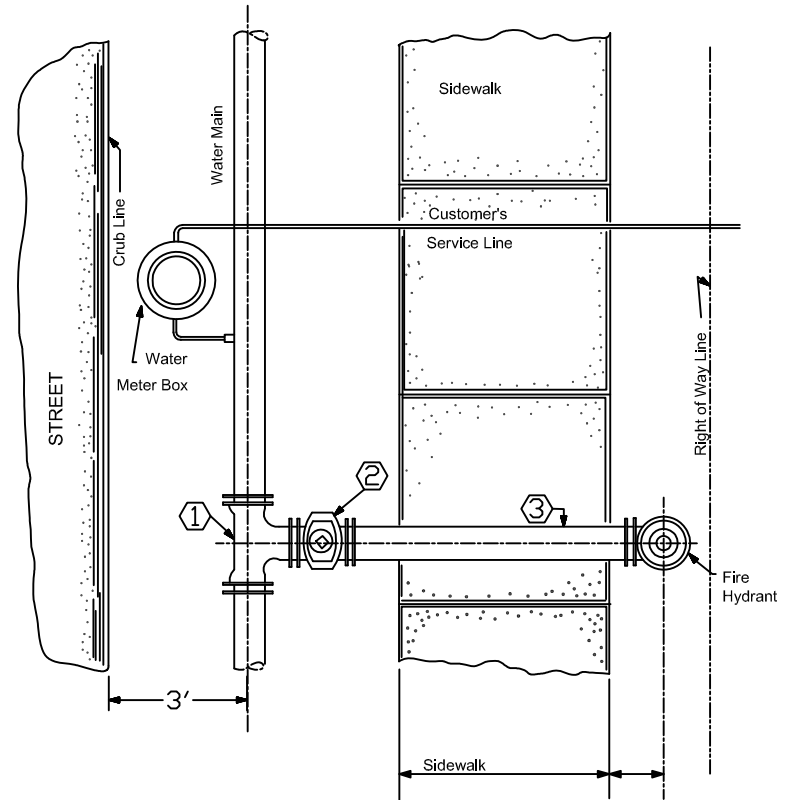
STREET WITH SIDEWALK



STREET WITHOUT SIDEWALK

DRAWING NOTES

- ① Mechanical Joint Anchoring Tee-Clow No.F-1217 or equal as approved.
- ② Mechanical Joint Gate Valve
- ③ Mechanical Joint Anchoring Pipe Clow No.F-1216 or Approved equal Length as required.



All ductile iron pipe, fittings and valves shall be wrapped with polyethelene encasement in accordance with specifications.

REVISION	BY	DATE
1.	MPS	1/15/10
	MPS	02/23/10

The 30' under symbol not for interest.
Detail items, detail-kind blocking.

N. KY. WATER DISTRICT

WATER MAINS TERMINATIONS

DRAWN BY: SAR

APPROVED: RH

DATE: 2/17/10

STANDARD DRAWING NO: 102