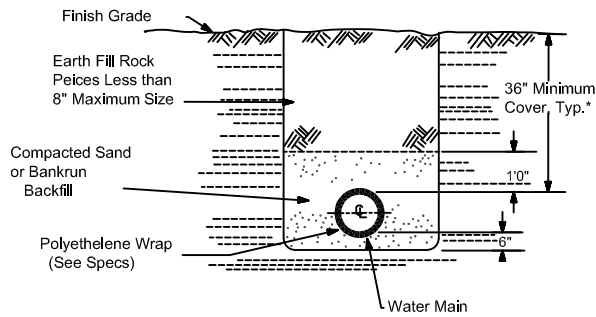
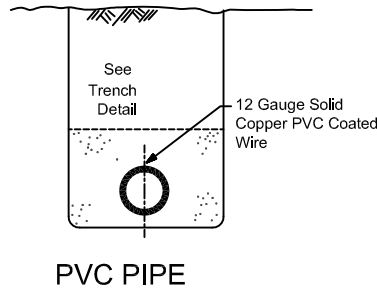


**EARTH CUTS
TRENCH DETAIL**

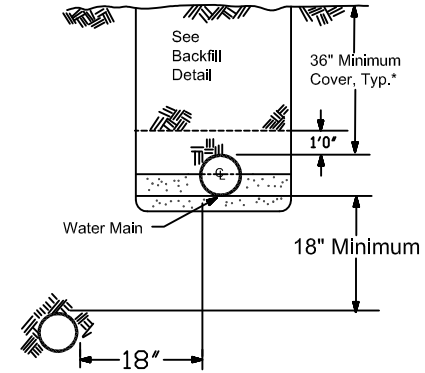


**ROCK CUTS
& UNSTABLE SUBGRADE
TRENCH DETAIL**
* 48" Maximum Cover



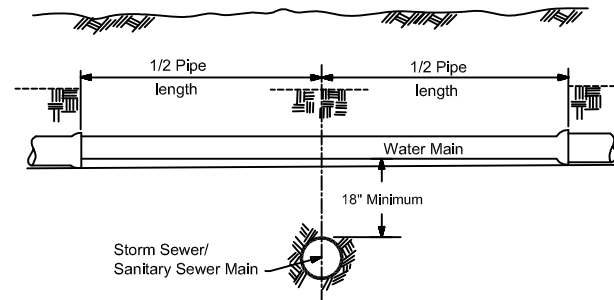
PVC PIPE

ALTERNATE TO BE USED ONLY ON APPROVAL
BY THE DISTRICT



Water Main must be located a minimum of 10 feet
lateral distance from any existing or future sewer
lines or manholes, or as shown in the above alternate.

**WATER MAIN PARALLELING
SEWER MAIN**



WATER MAIN CROSSING SEWER

SUBDIVISION CONSTRUCTION

REVISION	BY	DATE
1	MPG	1/15/10
2		
3		
4		
5		

1. 5" Max. Pipe Size

N. KY. WATER DISTRICT

**TYPICAL PIPELINE TRENCH
DETAIL**

DRAWN BY:
SAR

APPROVED:
RH

DATE:
2/02/11

**STANDARD
DRAWING NO:**
103