

SECTION A-A

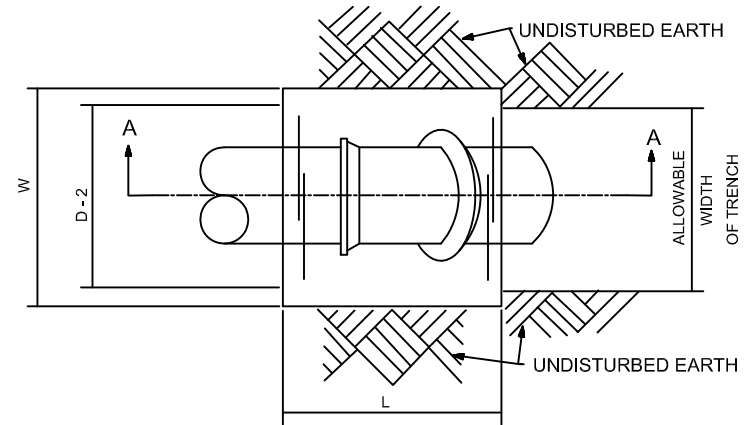
CONCRETE BACKING FOR VERTICAL BENDS

1. BACKING DESIGNED FOR 3000 POUNDS PER SQUARE FOOT SOIL BEARING AND 150 POUNDS PER SQUARE INCH INTERNAL PRESSURE.
2. PROVIDE MINIMUM CONCRETE REINFORCEMENT OF 2 PAIR OF TWO 5" "U" BARS @ 12" C.
3. CENTER BACKING ON BEND.

BLOCKING FOR SIZES NOT SHOWN SHALL USE THE NEXT LARGER SIZE.

SIZE of PIPE	DEGREE OF BEND											
	11 1/4				22 1/2				45			
	L"	W"	H"	VOL.	L"	W"	H"	VOL.	L"	W"	H"	VOL.
4"	12	24	16	2.7	15	30	18	4.7	22	36	24	11.0
6"	12	43	18	5.4	16	48	34	15.1	30	55	24	22.9
8"	12	54	24	9.0	18	57	36	21.4	36	57	33	39.2
12"	20	63	36	26.3	37	62	37	49.2	48	62	51	88.0
16"	31	65	38	44.4	60	65	39	88.2	65	65	65	159.2
20"	45	70	40	73.0	56	70	60	136.4	72	76	78	247.5
24"	47	72	54	106.0	67	74	69	198.4	88	84	84	360.1

NOTE: VOLUMES GIVEN IN CUBIC FEET



PLAN

REVISION	BY	DATE

N. KY. WATER DISTRICT
 CONCRETE THRUST BLOCKING
 FOR VERTICAL BENDS

DRAWN BY:
 SAR

APPROVED:
 RH

DATE:
 2/17/10

STANDARD
 DRAWING NO:

104A