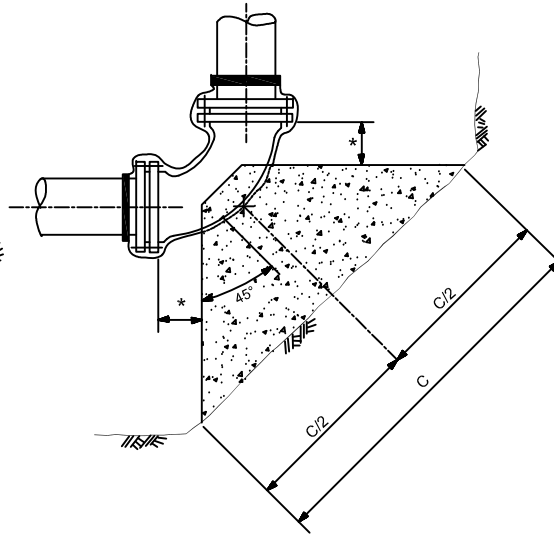
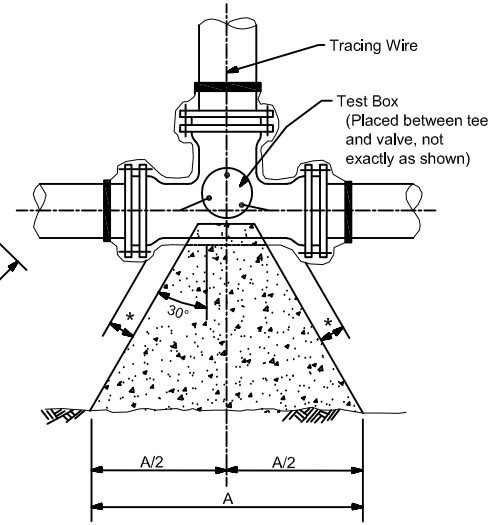


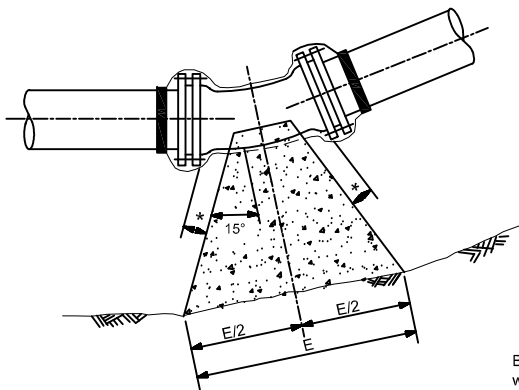
**45° BEND**



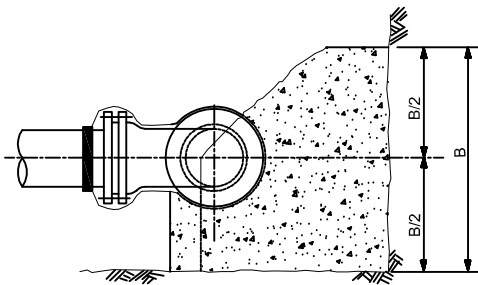
**90° BEND**



**TEE (DEAD END OR FIRE HYDRANT SIMILAP)**



**11 1/4° & 22 1/2° BEND**



**ELEVATION**

Blocking shall be poured after blue polyethelene wrap is in place. Blocking shall be inspected by the District prior to backfilling.

**150 PSI/250 PSI**

PIPE SIZE	A	B	C	D	E
6"	2'0"/>26"	1'6"/>16"	3'0"/>36"	1'6"/>20"	1'0"/>10"
8"	2'6"/>36"	2'0"/>20"	3'6"/>46"	2'0"/>26"	1'0"/>16"
10"	3'6"/>40"	2'6"/>26"	4'6"/>56"	2'6"/>30"	1'6"/>16"
12"	4'0"/>50"	3'0"/>30"	5'6"/>66"	3'0"/>36"	1'6"/>20"
16"	5'0"/>60"	3'0"/>40"	7'0"/>86"	4'0"/>46"	3'0"/>30"
20"	6'0"/>76"	5'0"/>50"	7'0"/>106"	4'0"/>60"	3'0"/>30"

\* Distance to be 1/2" longer than entire length of the bolt used.

**NOTES**

- 1 DIP Fittings shall be per specifications.
- 2 Concrete to be 3500 psi.
- 3 All fittings to be Mechanical Joint.
- 4 Thrust blocks to be placed against undisturbed earth - use additional concrete as required for over excavation.
- 5 Blocking to be placed in a manner so that bolts can be removed without disturbing the block.

REVISION	BY	DATE			
<p><b>N. KY. WATER DISTRICT</b></p> <p><b>CONCRETE THRUST BLOCK</b></p> <p><b>DETAIL</b></p>					
DRAWN BY: SAR					
APPROVED: <i>RH</i>					
DATE: 2/17/10					
STANDARD DRAWING NO: 104					