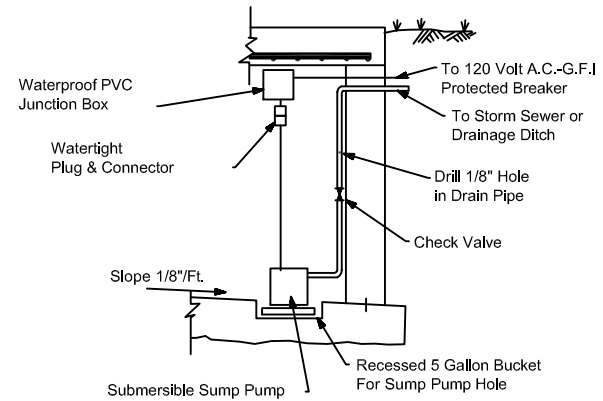
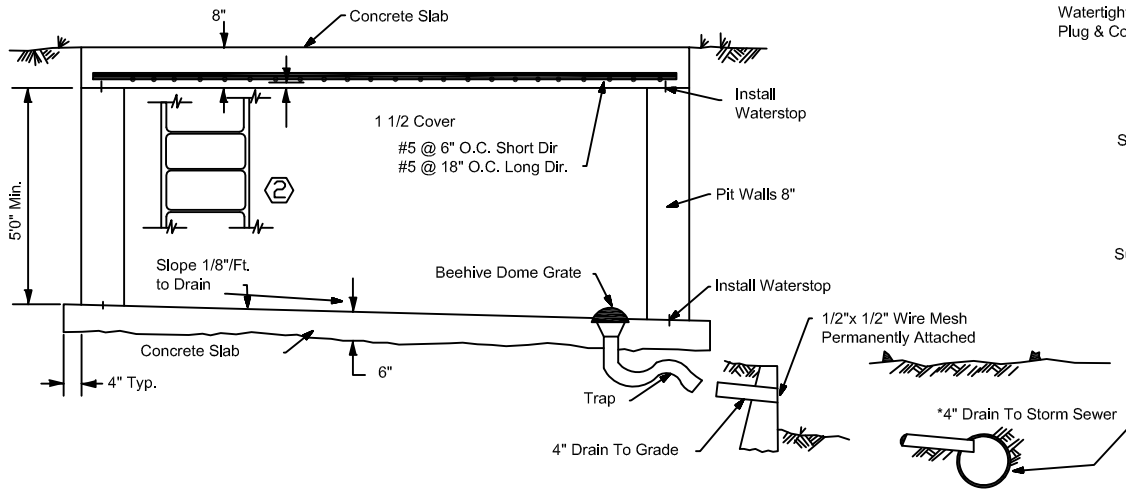


DRAWING NOTES

- ① (2) #5 Reinforcing Bars, 2'6" Long @ 45° Each Corner of Lid or Pit Opening.
- ② Removable ALuminum Ladder Within Pit.
- ③ Lid In Top Slab To Be Centered Over Meter(S). Lids Shown Are For Non-Traffic Area Locations.
Lids Within Traffic Areas Shall Be Guarded With Approved Post Surrounding The Pit Or Lid, Or The Lid Shall Be Adequate To Support The Imposed Weight And Be Operated By A Single Person As Approved By K.C.W.D. #1.
- ④ Opening In Top Slab As Required.



* At No Time Will Drain Line Be Tied Into A Sanitary or Combination Sewer

REVISION	BY DATE	
		MPA
	LID & SUMP PUMP	
N. KY. WATER DISTRICT		
TYPICAL PIT DETAIL		
DRAWN BY: SAR		
APPROVED: RH		
DATE: 2/02/11		
STANDARD DRAWING NO: 202		