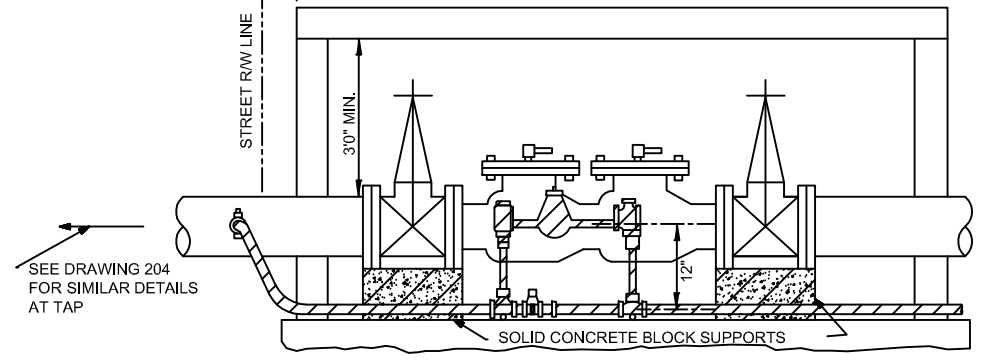


PLAN



ELEVATION

DRAWING NOTES

- ① REFER TO DRAWING NO.204 FOR DETAILS OF FIRE BRANCH PIPING.
- ② 2" OR SMALLER DOMESTIC METER TO ALIGN WITH BACK FLOW DEVICE.
- ③ VALVE
- ④ BRACKETS FOR PIPE SUPPORT.
- ⑤ ON 8" AND SMALLER PIPING, TAPS MADE SHALL BE MADE WITH BRONZE SADDLE FOR 1 1/2" OR 2" TAPS.
- ⑥ PRESSURE REDUCING DEVICE IF NEEDED
- ⑦ SHADED AREA DISTRICTS RESPONSIBILITY

GENERAL NOTES

1. SEE DRAWING 202 FOR PIT CONSTRUCTION DETAILS.
2. SEE DRAWING 201 FOR PIT MATERIALS SPECIFICATIONS
3. SEE DRAWING 203 FOR PIPING SPECIFICATIONS
4. ANY PUMPER CONNECTION SHALL BE INSTALLED DOWNSTREAM OF OUTLET VALVE & BACKFLOW DEVICE.
5. ANY POST INDICATORS SHALL BE TYPE THAT WILL ATTACH TO WHEEL OPERATOR AND ALLOW OPERATION OF VALVE WITHIN PIT.
6. 1 1/2" \$ 2" METERS WILL COME WITH CUSTOM SETTER.(BOTH TO BE PURCHASED FROM NKWD)
7. SHADED AREAS INDICATES WHAT THE PROPERTY OWNER WILL MAINTAIN AFTER THE WARRENTY PERIOD EXPIRES.
8. A BACKFLOW PREVENTION ASSEMBLY SHALL BE INSTALLED AS THE FIRST DEVIE INSIDE OF THE BUILDING ON THE DOMESTIC WATER LINE. THERE SHALL BE NO BRANCHES OR TAPS BETWEEN THE METERING ASSEMBLY & THE BACKFLOW PREVENTION ASSEMBLY.

REVISION	BY	DATE
	MPA	10/3/00
	ADD LONGER METER	
	ADD DOUBLE CHECK ASSEMBLY	2/22/02
	CHANGE TO CUSTOMER SITTING	04/21/00

N. KY. WATER DISTRICT
DUAL SERVICE BRANCH
SETTING WITH 2" OR 1 1/2" METERS

DRAWN BY:	SAR
APPROVED:	<i>RH</i>
DATE:	2/17/10
STANDARD DRAWING NO:	206