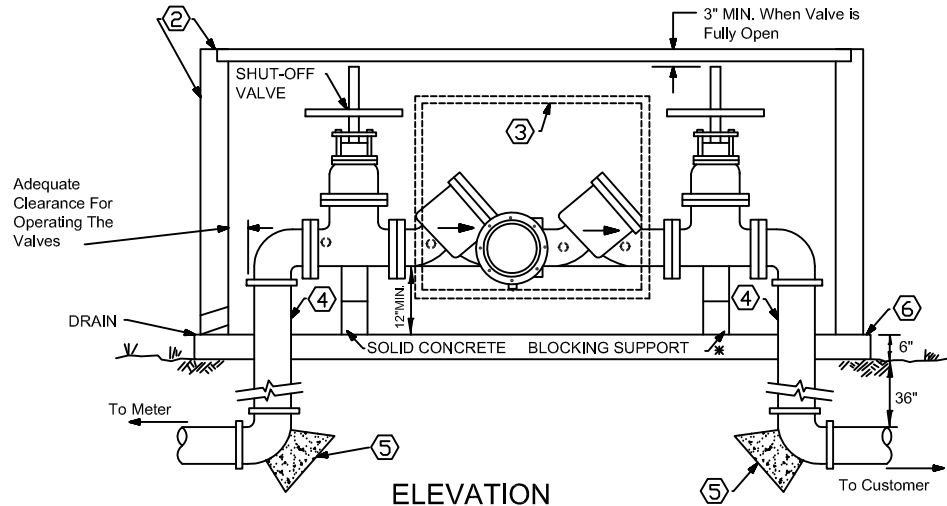


PLAN



ELEVATION

* As Necessary

DRAWING NOTES

- ① APPROVED BACKFLOW PREVENTION ASSEMBLY WITH APPROVED VALVES - OUTSIDE STEM & YOKE VALVES
- ② PROTECTIVE ENCLOSURE DESIGNED TO PROTECT THE BACKFLOW PREVENTOR FROM FREEZING & WEATHER
- ③ ACCESS DOOR 3'X 4' MIN. SIZE UNLESS THE STRUCTURE CAN BE MANUALLY LIFTED OFF. TEST TEES SHALL FACE THE ACCESS DOOR.
- ④ PIPING - FLANGED ENDS WITHIN STRUCTURE ANCHORED AS NECESSARY
- ⑤ CONCRETE THRUST BLOCKS
- ⑥ 6" THICK CONCRETE PAD

GENERAL NOTES

- 1. THE SERVICE PIPING BETWEEN THE METER AND THE BACKFLOW DEVICE SHALL BE VOID OF ANY BRANCHES OR OUTLETS.
 - 2. DRAINAGE SHALL BE PROVIDED
 - 3. THE DEVICE SHALL NOT BE IN AN AREA SUBJECT TO FLOODING.
 - 4. METERING DEVICE & APPURTENANCES CAN BE LOCATED ABOVE GRADE BEFORE THE BACKFLOW PREVENTION ASSEMBLY.
- NEEDS TO BE LOCATED JUST OUTSIDE OF RW
 - NEEDS TO BE PROTECTED FROM FREEZING

REVISION	BY DATE	
	BY	DATE
N. KY. WATER DISTRICT		
BACKFLOW PREVENTION ASSEMBLY		
INSTALLED ABOVE GROUND		
DRAWN BY: SAR		
APPROVED: RA		
DATE: 2/17/10		
STANDARD DRAWING NO: 303		