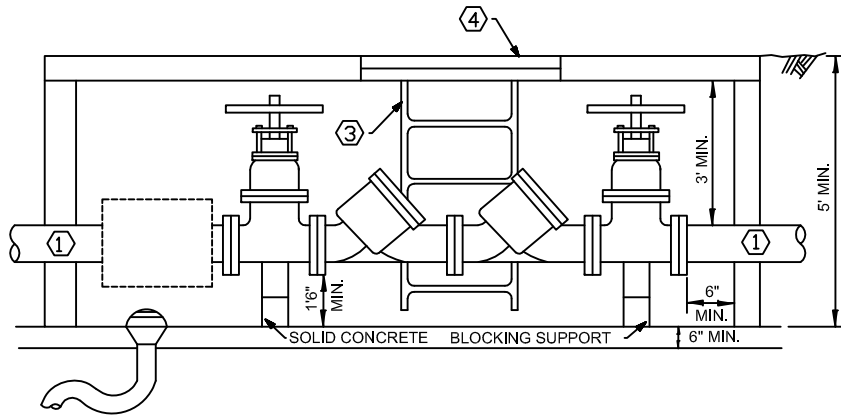


PLAN



ELEVATION

DRAWING NOTES

- ① PIPING CLASS52 WITH ENDS WITHIN THE PIT. ANCHORED AS NECESSARY
- ② APPROVED BACKFLOW PREVENTION ASSEMBLY WITH APPROVED VALVES. (OUTSIDE STEM & YOKE VALVES)
- ③ REMOVABLE ALUMINUM LADDER WITHIN THE PIT.
- ④ ACCESS LID, ALUMINUM, DOUBLE DOOR LID, 48"x54" WITH LOCKING BAR, CENTERED OVER METER, IF ANY.

GENERAL NOTES

- 1. SERVICE PIPING BETWEEN THE METER ASSEMBLY AND THE BACKFLOW DEVICE SHALL BE VOID OF ANY BRANCHES OR OUTLETS.
- 2. DRAINAGE SHALL BE PROVIDED PER DISTRICT STANDARDS.
- 3. REDUCED PRESSURE BACKFLOW PREVENTION CAN BE INSTALLED IN A PIT ONLY IF THE PIT IS DRAINED TO ATMOSPHERE AND DRAIN LINE IS SIZED TO RELIEF VALVE FLOW RATE.
- 4. STANDARD DRAWING #201,201A,202

REVISION	BY	DATE
N. KY. WATER DISTRICT		
BACKFLOW PREVENTION ASSEMBLY INSTALLED IN A PIT		
DRAWN BY: SAR		
APPROVED: RH		
DATE: 2/17/10		
STANDARD DRAWING NO: 304		